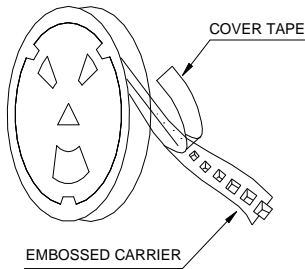
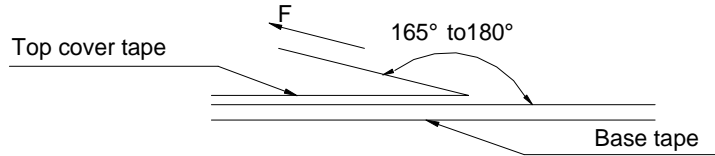


Packaging Information

• **Tearing Off Force**



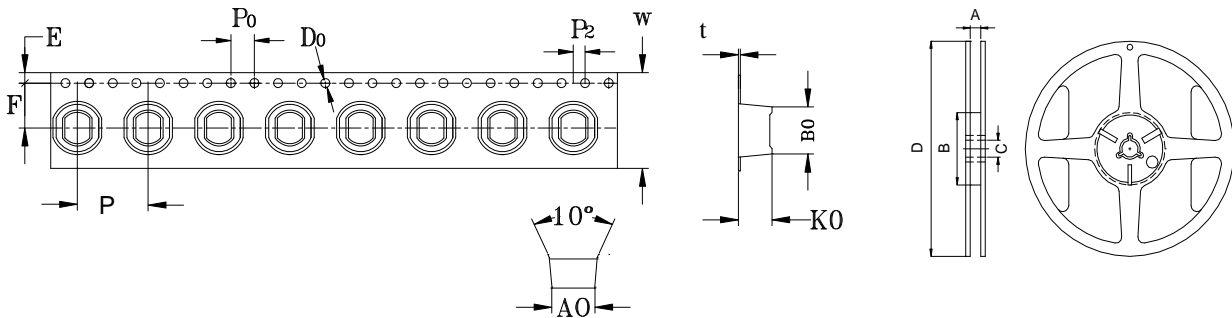
★The force for tearing off cover tape is 10 to 120 grams in the arrow direction under the following conditions.



• **DIMENSIONS & RECOMMENDED PATTERN**

| TYPE | DIMENSIONS / SIZE (mm) | | | | PATTERN / SIZE (mm) | | |
|-----------------|------------------------|-----------|-----------|-----------|---------------------|-----|-----|
| | A | B | C | D | E | F | G |
| JTP 0302 | 3.5 ± 0.3 | 3.0 ± 0.3 | 2.3 ± 0.3 | 3.5 ± 0.3 | 1.4 | 0.8 | 3.0 |

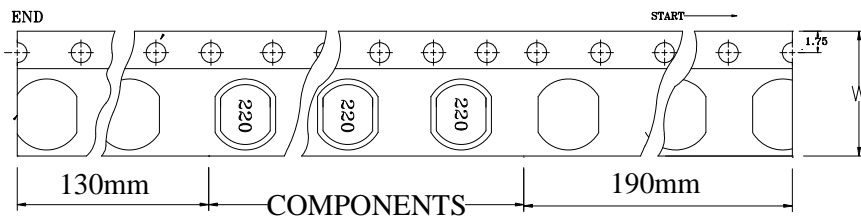
• **TAPE DIMENSION & REEL DIMENSION**



REEL DIMENSION

| TYPE | TAPE / SIZE (mm) | | | | | | | | | | REEL 13"×12mm | | | |
|-------------|------------------|-----------|-----------|-----------|------------|----------|---------|---------|---------|-------------|---------------|-----------|------------|-----------|
| | Ao | Bo | Ko | F | E | W | P | Po | P2 | t | A | B | C | D |
| 0302 | 3.3 ± 0.1 | 3.8 ± 0.1 | 2.6 ± 0.1 | 5.5 ± 0.1 | 1.75 ± 0.1 | 12 ± 0.3 | 8 ± 0.1 | 4 ± 0.1 | 2 ± 0.1 | 0.35 ± 0.05 | 12.5 ± 0.5 | 100 ± 0.5 | 13.2 ± 0.3 | 330 ± 1.0 |

• **PACKAGING QUANTITY**



USER DIRECTION OF FEED

| | |
|------------------|-----------------|
| Type | JTP 0302 |
| Q'TY/Reel | 3,000 |